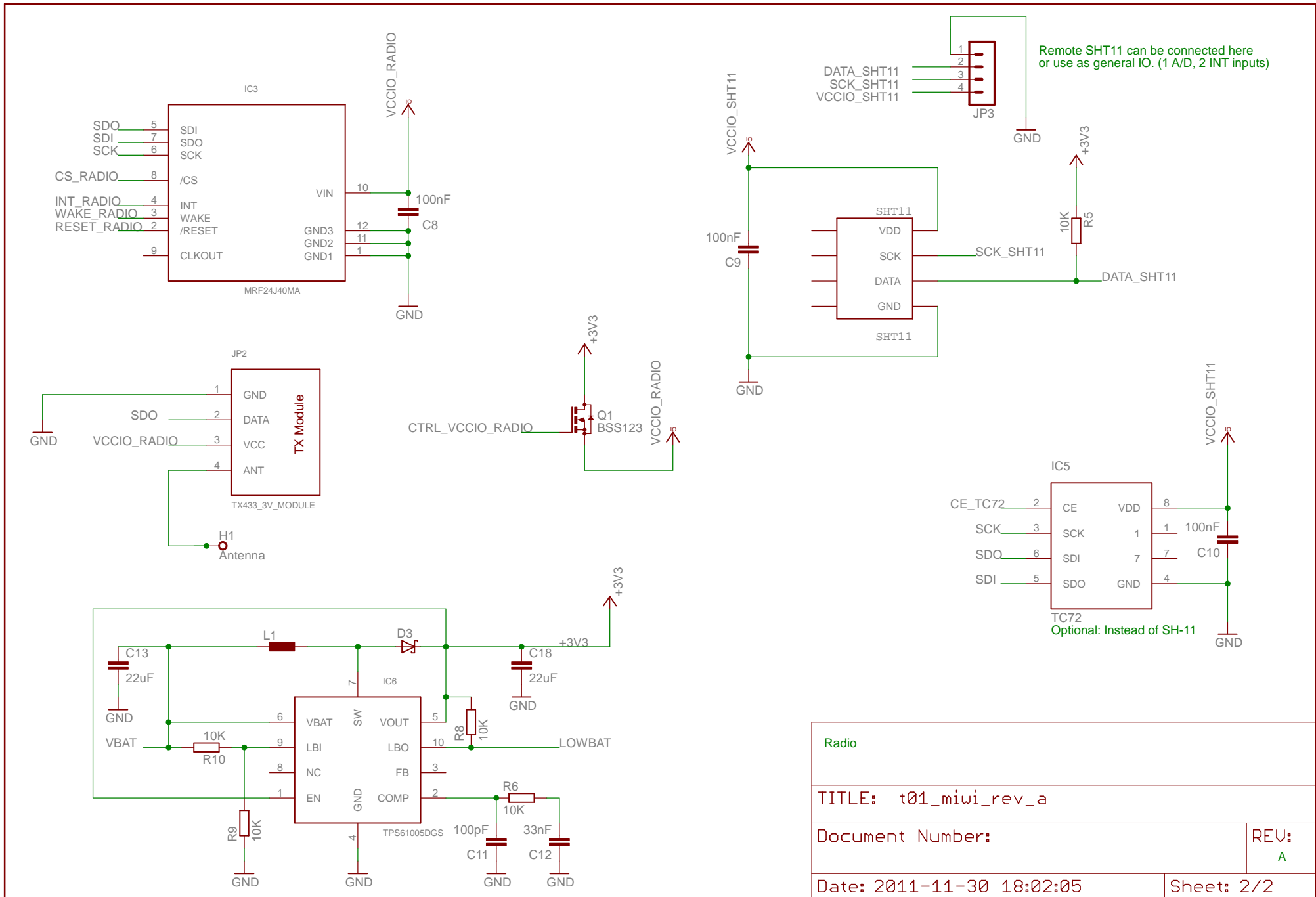


Processor	
TITLE: t01_miwi_rev_a	
Document Number:	REV: A
Date: 2011-10-03 15:44:53	Sheet: 1/2



Radio	
TITLE: t01_miwi_rev_a	
Document Number:	REV: A
Date: 2011-11-30 18:02:05	Sheet: 2/2